



Caravan Industry
Association of Australia

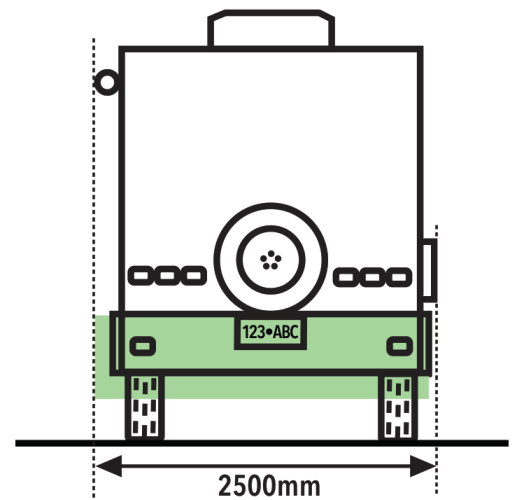


July 2017

Overall Vehicle Width

Australian Design Rule 42/04 – General Safety Requirements details that the OVERALL width of a vehicle or trailer must not exceed 2500mm. This maximum distance is measured across the body including all permanent fixings, such as wheel guards, hot water service covers and awnings etc., but excluding signalling devices and side mounted clearance lamps.

Caravan Industry Association of Australia’s Technical and Compliance team generally find that width related issues are mainly caused by the fitment of components such as window blinds or slide out awnings, spot lights, power inlets or other items permanently fitted to the off-side of the Recreational Vehicle (examples below).



Centre Awning Support Arms



Scrub Bars/ Protection Bars



Spotlights

Working collaboratively with State Associations on matters which affect the Caravan and Camping Industry



Disclaimer: The information provided in this document is general and is provided in good faith. Readers must make their own investigations or seek specific advice on their particular individual circumstances. Caravan Industry Association of Australia Limited, its employees, contractors and agents are not liable in any way including, without limitation, for negligence, in connection with this document or for any errors in or omissions from this document, or any new understanding of the law whether arising from any legislative instruments or the decision of any court or tribunal, whether before or after this document was prepared, first published, distributed or used.