

# Front and Rear Lamps

August 2021



RVMAP™

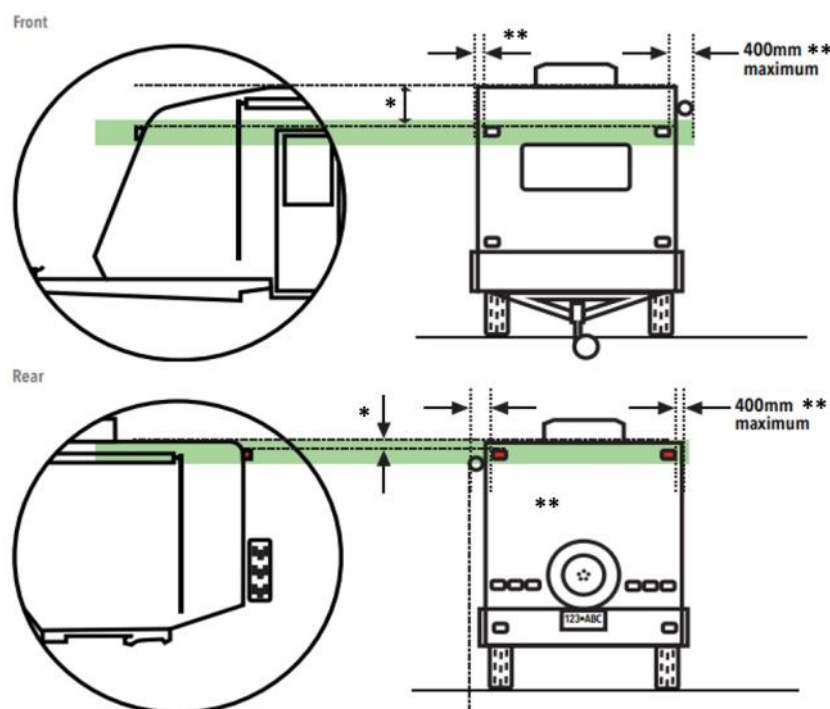
Caravan Industry Association of Australia's RVMAP Technical Team has identified a growing trend in issues relating to front and rear lamps not being correctly placed on various recreational vehicles.

## End Outline Marker Lamps (Front/Rear)

For towable vehicles, the end outline marker lamps (front and rear) must not be more than 400mm from the extreme outer edge of the vehicle. Note: The overall width measurement includes any overhanging body structure or permanently mounted equipment (eg. awning, storage rack frame, etc.)

End outline marker lamps are to be mounted as high as possible on the towable vehicle.

The diagrams below is a further illustration of the above information.



\* At the maximum height compatible with the requirements relating to the width, design and operational requirements of the vehicle and to the symmetry of the vehicle and lamps.

\*\* As close as possible to the extreme outer edge of the vehicle. End outline marker lamps must be fitted no further than 400mm from the extreme outer edge of the vehicle.

Working collaboratively with member State Associations on matters that affect the Caravan and Camping Industry



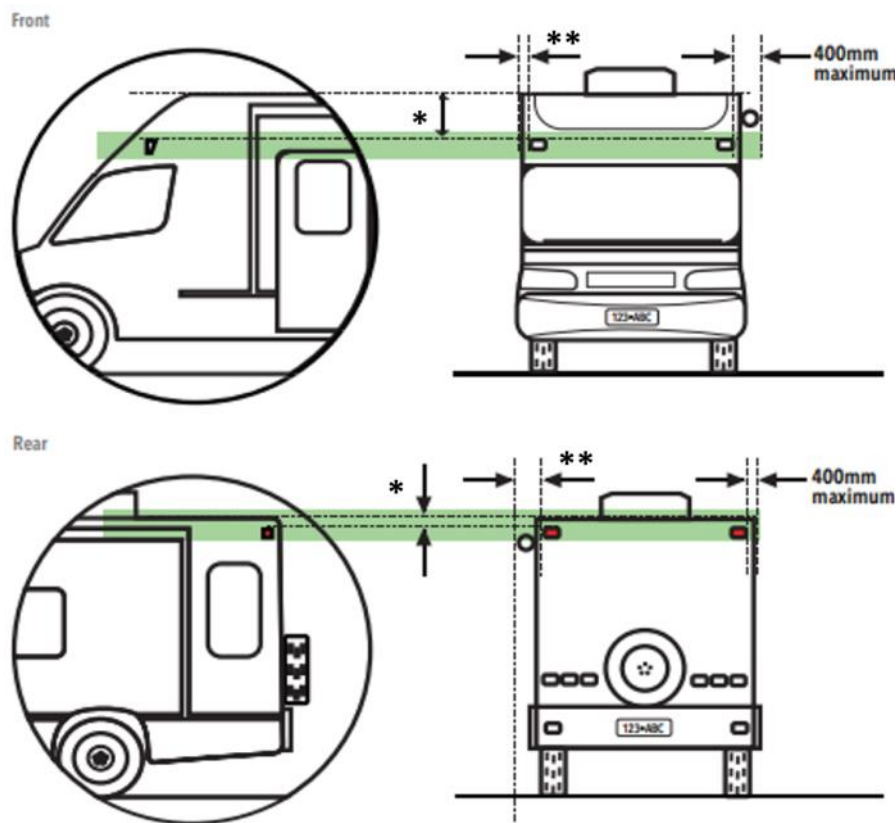
# Front and Rear Lamps

August 2021



RVMAP™

Motorised vehicles have the same requirements for rear end outline marker lamps of towable vehicles. However, there is a different height requirement for front end outline marker lamps. The front end outline marker lamp shall be fitted no lower than the top edge of the windscreen. Width requirement for the front end outline marker lamps are the same - no more than 400mm from the extreme outer edge of the body structure or permanently mounted equipment.



\* At the maximum height compatible with the requirements relating to the width, design and operational requirements of the vehicle and to the symmetry of the vehicle and lamps.

\*\* As close as possible to the extreme outer edge of the vehicle. End outline marker lamps must be fitted no further than 400mm from the extreme outer edge of the vehicle.

For both towable and motorised vehicles, any end outline marker lamps are required to have a clear field of view over an angle of 80° outwards, 5° above horizontal and 20° below horizontal.



Working collaboratively with member State Associations on matters that affect the Caravan and Camping Industry



# Front and Rear Lamps

August 2021



RVMAP™

## Front Position Lamps

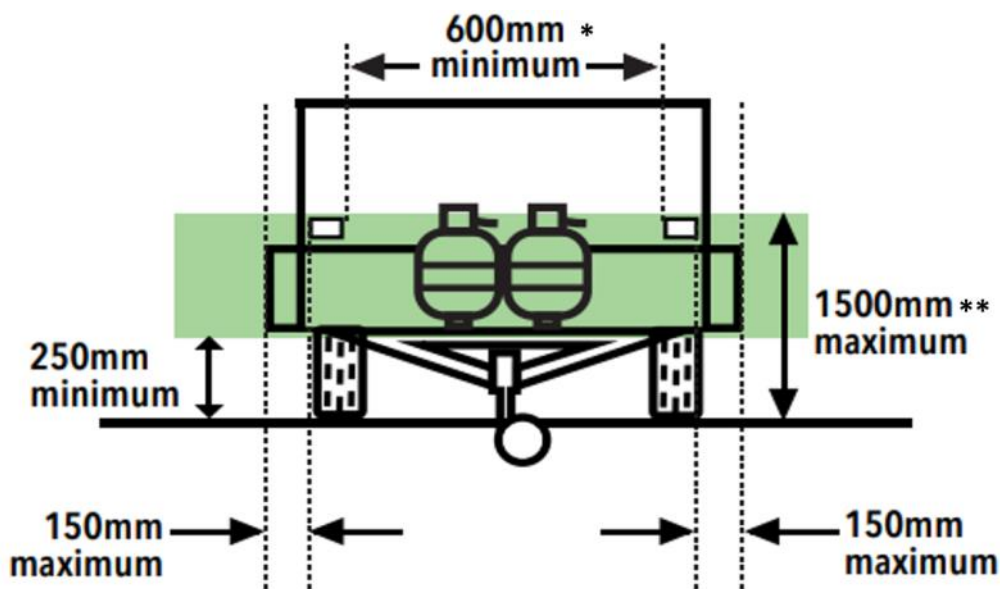
For TA and TB vehicle category code, front position lamps are required to be fitted with an orientation towards the front and in height between 250mm and 2100mm from the ground, or 1500mm from the ground for towable vehicles exceeding 3500Kg GTM – vehicle category code TC and TD). The front position lamps must not be more than 150mm from the extreme outer edge of the vehicle (including all permanent components and/or equipment).

The distance between the inner edges of the pair of front position lamps must be at least 600mm.

Front position lamps may not be required if side marker lamps are fitted in accordance with ADR 13 placement requirements.

Front position lamps are optional on towable vehicles with less than 1600mm overall width. It is also optional on towable vehicles with over 1600mm to 1800mm overall width and less than 4000mm overall length.

The diagram below is a further illustration of the above information.



\* May be reduced to 400mm if overall vehicle width is less than 1300mm (including all permanent components and/or equipment)

\*\* May be increased to 2100mm if the shape of the bodywork makes it impossible to keep within 1500mm.



Working collaboratively with member State Associations on matters that affect the Caravan and Camping Industry



# Front and Rear Lamps

August 2021



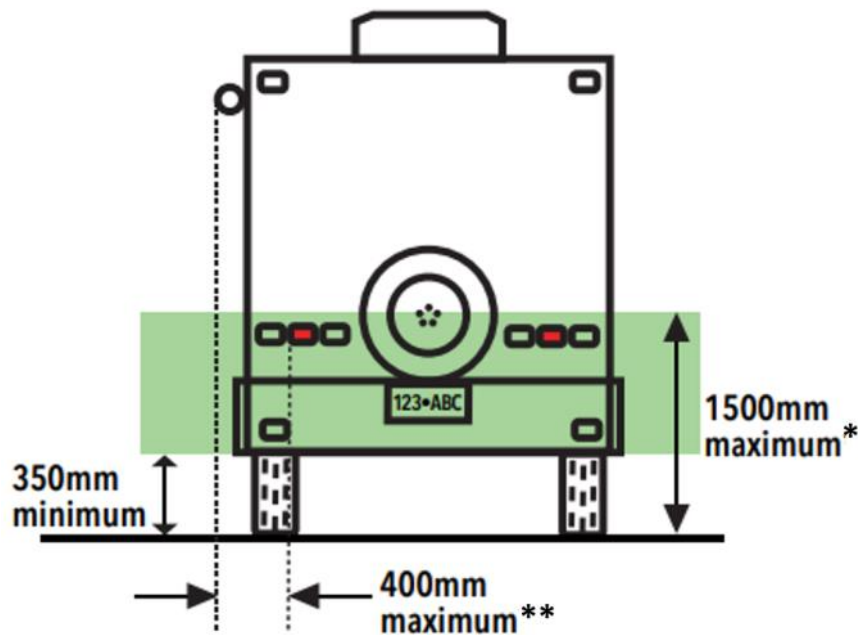
RVMAP™

## Stop, Tail and Indicator Lamps

For towable and motorised vehicles, stop, tail (rear position) and indicator lamps are required to be fitted between 350mm and 1500mm height from the ground.

The stop, tail and indicator lamps must not be more than 400mm from the extreme outer edge of the vehicle (including all permanent components such as awnings).

The diagram below is a further illustration of the above information.



\* May be increased to 2100mm if the shape of the bodywork makes it impossible to keep within 1500mm

\*\* Rear position lamps shall not be more than 400mm from the extreme outer edge of the vehicle.



Working collaboratively with member State Associations on matters that affect the Caravan and Camping Industry



# Front and Rear Lamps

August 2021



RVMAP™

## Problem areas to look out for include:

- Height of lamps – always measured from the ground to the top of the apparent surfaces.
- Visibility - lamp being obscured by equipment such as stone guard, toolboxes, jerry can holders or spare tyres.
- End outline marker lamps missing or not installed.
- Lamps placed at distance greater than inboard distance requirements.
- Lamps installed on a surface that is not forward facing, such that the visibility angles are not achieved.

## Recommendation:

To ensure that front and rear lamps are fitted correctly, it is recommended that accredited businesses review [ADR 13](#) and [VSB 1](#) to familiarize with the requirements of front and rear lamps on recreational vehicles.

Alternatively, an easy-to-read poster can be purchased from the RVMAP catalogue, Item # C-11A (*A1 Compliance Poster – Lamps and Reflectors*).

Download the newest version (effective January 2021) of the RVMAP Merchandise Catalogue and Order Form from the [RVMAP Portal](#) or by using the download buttons below:

RVMAP MERCHANDISE  
CATALOGUE

RVMAP MERCHANDISE  
ORDER FORM

Any questions in relation to this information can be emailed to [rvmmap@caravanindustry.com.au](mailto:rvmmap@caravanindustry.com.au)



Working collaboratively with member State Associations on matters that affect the Caravan and Camping Industry

