

Front and Rear Reflectors

UPDATE: September 2022

Original Release: July 2021



RVMAP™

Caravan Industry Association of Australia's RVMAP Technical Team have identified a growing trend in issues relating to front and rear reflectors not being correctly placed on various recreational vehicles.

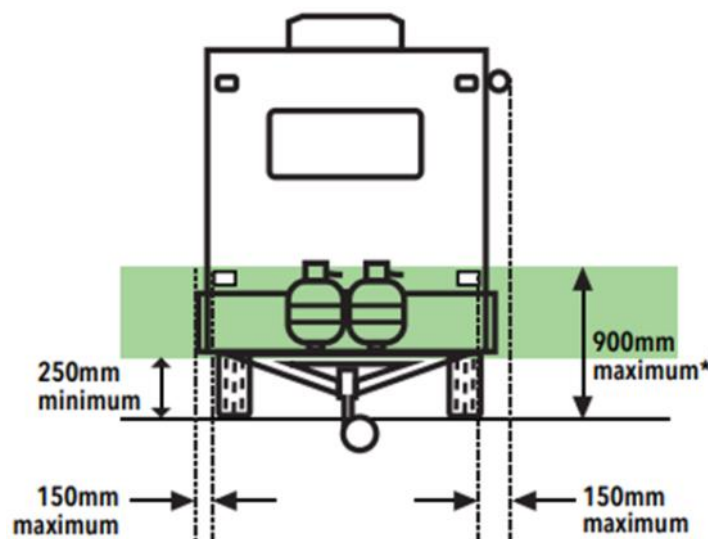
Front Reflectors

ADR 13/00 and VSB 1 state that front reflectors are required to be fitted between 250mm and 900mm height from the ground.

Front reflectors are required to be mounted no further than 150mm from the extreme outer edge of the trailer. This measurement includes any overhanging body structure or permanently mounted equipment (e.g., awning, storage rack frame). In addition, the reflectors are to be spaced a minimum of 600mm apart.

Front reflectors are required to be fitted with an orientation towards the front, with a minimum visibility angle of 30° outwards and 10° inwards.

The Diagram below is a further illustration of the above information.



* May be increased to 1500mm if the bodywork doesn't allow for fitment of the reflector below 900mm.

Working collaboratively with member State Associations on matters that affect the Caravan and Camping Industry



Front and Rear Reflectors

UPDATE: September 2022

Original Release: July 2021



RVMAP™

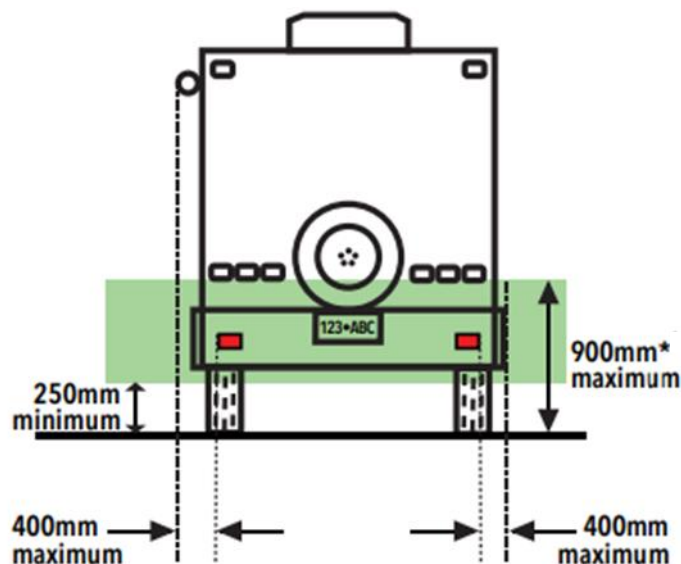
Rear Reflectors

ADR 13/00 and VSB 1 state that rear reflectors are required to be oriented towards the rear and fitted between 250mm and 900mm height from the ground, or not more than 1200mm when grouped with any rear lamps.

Rear reflectors are required to be mounted no further than 400mm from the extreme outer edge of the trailer. This measurement includes any overhanging body structure or permanently mounted equipment (e.g., awning, storage rack frame). In addition, the reflectors are to be spaced a minimum of 600mm apart.

Rear reflectors are required to have a clear field of view over angles of 30° inwards and outwards and 10° above and below horizontal.

The Diagram below is a further illustration of the above information.



* May be increased to 1500mm if the bodywork doesn't allow for fitment of the reflector below 900mm.



Working collaboratively with member State Associations on matters that affect the Caravan and Camping Industry



Front and Rear Reflectors

UPDATE: September 2022

Original Release: July 2021



RVMAP™

Problem areas to look out for include:

- Height of Reflectors – always measured from the ground to the top of the reflective surface.
- Reflectors were being obscured by equipment such as stone guard, toolboxes, jerry can holders or spare tyres.
- Reflectors were missing, potentially not installed or have fallen off.
- Reflectors placed at a distance greater than required inboard distances.

Recommendation:

To ensure that front and rear reflectors are fitted correctly, it is recommended that accredited business review [ADR 13](#) and [VSB 1](#) to familiarize with the requirements of front and rear reflectors on recreational vehicles.

Where the installation of equipment or accessories for operational reasons invalidates the compliance of reflectors originally fitted, additional reflectors must be fitted as high as possible to maintain compliance. Full details can be found in ADR 13 Clause 8.1.

Alternatively, an easy-to-read poster can be purchased from the RVMAP catalogue, Item # C-11A (*A1 Compliance Poster – Lamps and Reflectors*).

Download the current RVMAP Merchandise Catalogue and Order Form from the [RVMAP Portal](#) or by using the download buttons below:

**RVMAP MERCHANDISE
CATALOGUE**

**RVMAP MERCHANDISE
ORDER FORM**

Any questions in relation to this information can be emailed to rvmmap@caravanindustry.com.au.

September 2022 Update: Information on Additional Reflectors added



Working collaboratively with member State Associations on matters that affect the Caravan and Camping Industry

